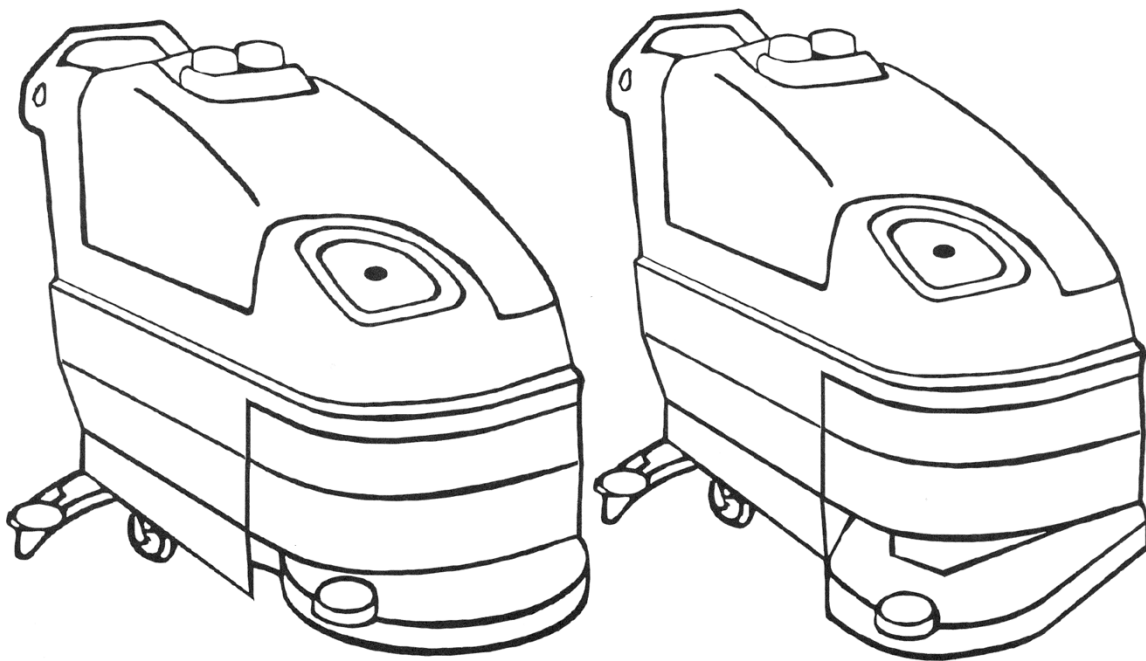




PARTS



VS20B/VS51B
VS20/VS51
VS26/VS66

Spare Parts List

TABLE OF CONTENTS

TANK ASSEMBLY.....	2-3
CONTROL ASSEMBLY.....	4-5
CONTROL PANEL ASSEMBLY.....	6-7
CHASSIS ASSEMBLY.....	8-9
20" MACHINE BRUSH HEAD ASSEMBLY.....	10-11
26" MACHINE BRUSH HEAD ASSEMBLY.....	12-13
SQUEEGEE ASSEMBLY.....	14-15
ELECTRICAL PANEL ASSEMBLY.....	16-17
WIRING DIAGRAM FOR BRUSH ASSIST MACHINES.....	18
WIRING DIAGRAM FOR TRACTION DRIVE MACHINES.....	19
BATTERY WIRING FOR 4 (6V) OR 2 (12V) CONFIGURATION.....	20

RECOMMENDED SPARE PARTS

Recommended spare parts should be ordered and stocked to avoid possible downtime in case of failure, breakage, or normal wear.

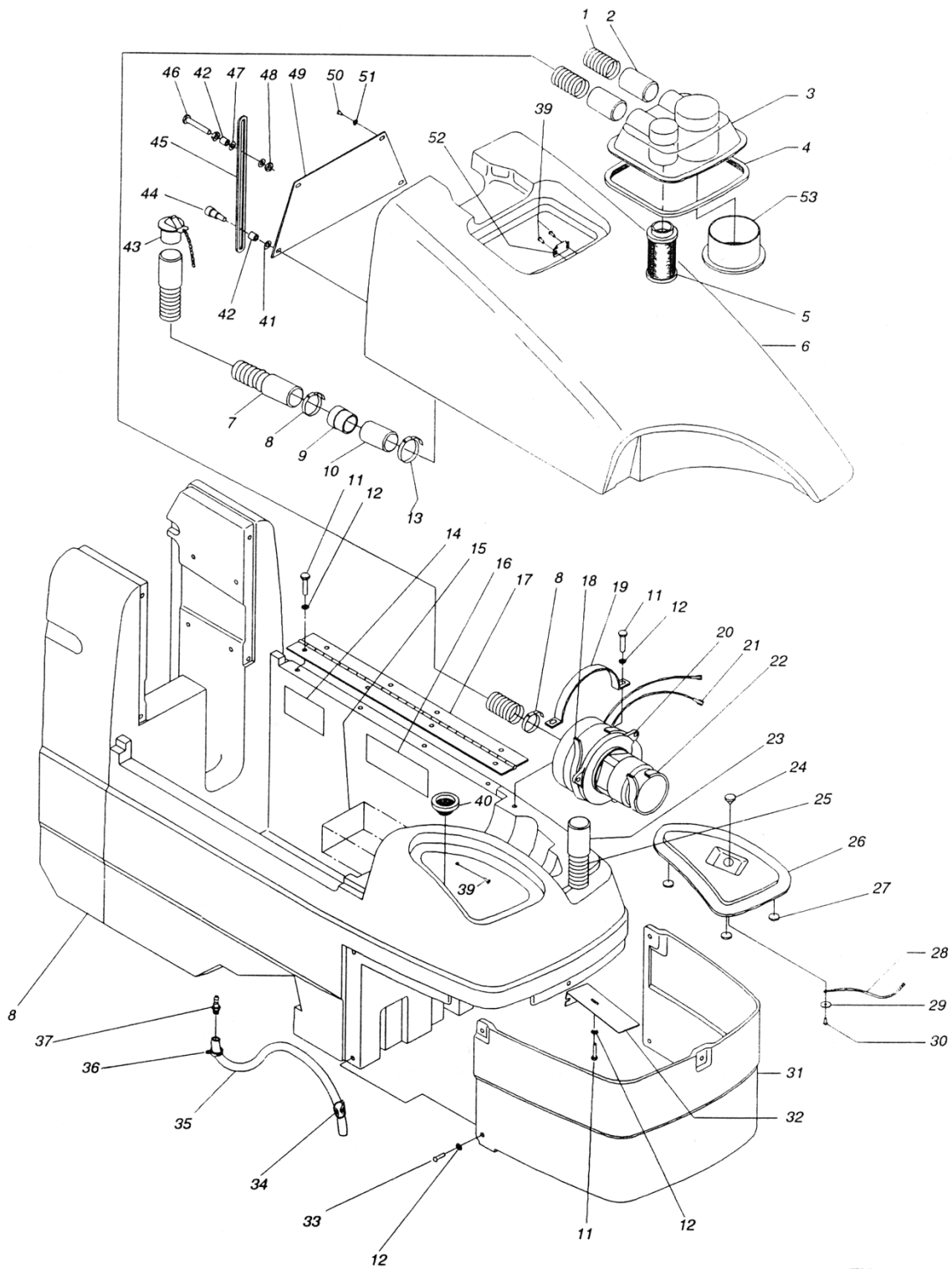
20" MACHINE

26" MACHINE

DET	PART NO.	DESCRIPTION	QTY
1	057243	KEY,AUTOMATICS--FOR P/N 026584	1
2	057901	FILTER,SCREEN--2.00 OD,20 MESH	1
3	057915	GUARD,SPLASH--20IN AUTO,SLIT	1
4	054793	RUBBER,SQUEEGEE-FRONT,20 AUTO	1
5	054794	RUBBER,SQUEEGEE--REAR,20 AUTO	1
6	057935	KNOB,3-LOBE--.38-16 INT.THD	1

DET	PART NO.	DESCRIPTION	QTY
1	057243	KEY,AUTOMATICS--FOR P/N 026584	1
2	057901	FILTER,SCREEN--2.00 OD,20 MESH	1
3	057844	GUARD,SPLASH--26" AUTO,SLIT	1
4	054557	RUBBER,SQUEEGEE--.125X1.75,33L	1
5	054558	RUBBER,SQUEEGEE--.187X2.75,35L	1
6	057935	KNOB,3-LOBE--.38-16 INT.THD	1

TANK ASSEMBLY



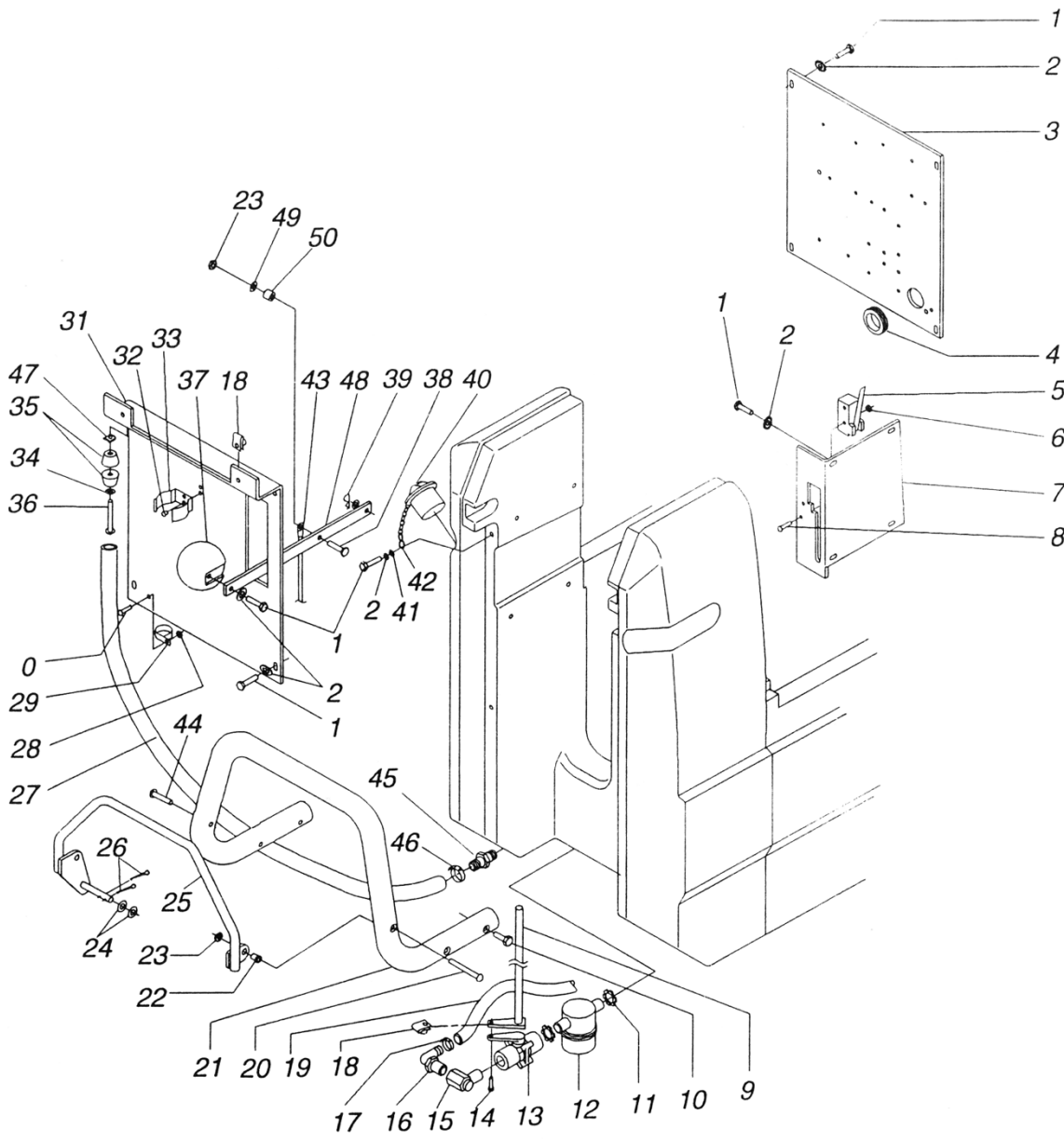
TM-1909

TANK ASSEMBLY PARTS LIST

DET	PART NO.	DESCRIPTION	QTY
1	056792	HOSE,VAC--1.50DIA,BLK,25.00L	2
2	055989	CUFF,HOSE--1.5,BLACK	2
3	056378	COVER,REC TANK--EXTR.LID	1
4	057890	GASKET--.375X.375X36.00L	1
5	057689	FLOAT,BALL--1.50 DIA W/FILTER	1
6	057808-2	TANK,RECOVERY--20/26,MACH,PWRB	1
7	035610	ASM,HOSE--1.50ID,40.0L,SEALED	1
8	046688	CLAMP,HOSE--1.75 MAX DIA,WORM	2
9	053894	FITTING--REDUCER,1.66-1.50,PLS	1
10	056675	TUBE,PVC--AUTO	1
11	005477	SCR TPG F WSH HD .250-20X.625L	7
12	004254	WSHR LK .267ID.510OD.028T EXT	12
13	049999	CLAMP,HOSE--2.25 MAX DIA,WORM	1
14	057750-7	LABEL--BATT WIRE,4X6V,SS20/26	1
15	057838	LABEL--WARNING,CHARGING BATT	1
16	057750-8	LABEL--BATT WIRE,2X12V,SS20/26	1
17	056514	HINGE,BUTT--RS 056291,BLACK	1
18	057866	GASKET--.375X1.00X18.00L	1
19	057854-05	BRACKET,U--VAC MOTOR,BLACK	1
20	026047-1	MTR,VAC--24V,3-STG,TAN DIS,1.5	1
21	026240	TERM,QD--M,.25X.03,14-16,P,STR	2
22	057867	GASKET--.375X1.00X 5.00L	1
23	057916	CUFF,HOSE--RS 055989, 3.00L	1
24	048022	KNOB,THUMB SCR--10-24,INT.	1
25	057917	HOSE,VAC--1.50DIA,BLK,9.00L,EX	1
26	057828	LID,TRIANGULAR--SOLUTION TANK	1
27	057859	GASKET,FOAM--.750DIA,..125THK	3

DET	PART NO.	DESCRIPTION	QTY
28	053793	WIRE ROPE--.062 DIA X 10.50L	1
29	E49039A	WSHR FLT .203ID.750OD.048T SS	1
30	005627	SCR MACH RD HD 10-24 X .50,SS	1
31	057809	COVER,FRONT--20/26,MACHINED	1
32	057904-05	BRACKET,ANGLE--16GA,EXH HOSE	1
33	002480	SCR MACH PAN HD .250-20X.625L	5
34	057913	CLAMP,PINCH--.500DIA MAX TUBE	1
35	057918	TUBE,VINYL--.375X.500.26.00L	1
36	051581	CLAMP,HOSE--.625 MAX DIA,WORM	1
37	051207	ADPTR,PP-HS--1/2MPTX3/8HS PLS	1
38	057807	TANK,SOLUTION--20/26,MACHINED	1
39	002382	SCR TPG F PAN HD 10-10X.500L	3
40	057901	FILTER,SCREEN--2.00 OD,20 MESH	1
41	004206	WSHR FLT .281ID.562OD.063T STL	1
42	046309	SPACER,PHEN--.250X.500,.500L	2
43	057852	PLUG,EXPANSION--1.50DIA,W/CHAI	1
44	002509	SCR SHLDR SOC HD .250X.75SHLDR	1
45	057508-02	BAR,STL--11GA,W/SLOT,PLATED	1
46	002477	SCR CAP HEX HD .25-20X1.50L,SS	1
47	004462	WSHR FLT .250ID1.00OD.062T STL	2
48	005479	NUT,HEX LOCK--.250-20,NYLOC,ZN	2
49	057860-05	PANEL,STL--.065X5.92X10.51,BLK	1
50	002366	SCR MACH PAN HD 10-24X.312L	3
51	004253	WSHR LK .204ID.410OD.025T EXT	3
52	057938	CLIP,LID--RECOVERY TANK,16 GA	1
53	057946	FITTING,SPINWELD--3.50IDX2.50L	1

CONTROLS ASSEMBLY



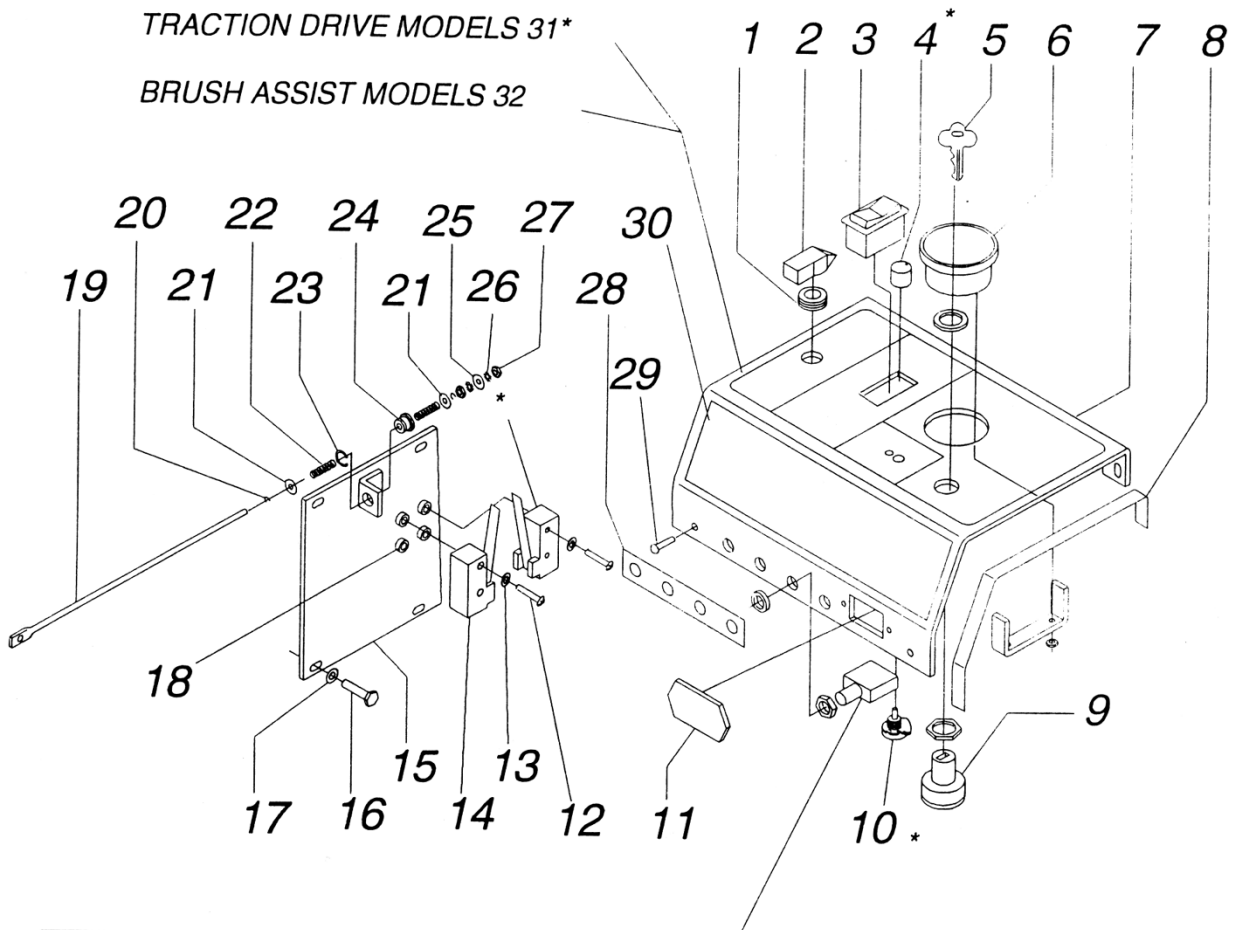
TM-1910

CONTROL ASSEMBLY PARTS LIST

DET	PART NO.	DESCRIPTION	QTY
1	005477	SCR TPG F WSH HD .250-20X.625L	12
2	004254	WSHR LK .267ID.510OD.028T EXT	9
3	057804-05	PANEL,STL--16GA,12.50X11.84BLK	1
4	049927	GROM--1.00ID,1.25MHD,.062PA	1
5	026603	SWITCH,LVR--SPDT,20A,125-250V	1
6	003361	NUT,HEX LOCK-- 6-32,NYLOC	2
7	035603-05	WDMT,SQUEEGE LOCK--20/26,BLACK	1
8	001248	SCR MACH RD HD 6-32X1.00L	2
9	035597-02	WDMT,SHAFT--WATER VALVE,PLATED	1
10	002454	SCR CAP HEX HD .250-20X1.50L	4
11	006108	NUT,LOCK--.50 IPT,CONDUIT	2
12	053133	FILTER,WATER--IN-LINE STRAINER	1
13	057830	VALVE,BALL--1/2FPTX1/2FPT,PVC	1
14	005478	SCR MACH RD HD .250-20X.500L	1
15	055071	ELBOW,STREET--1/2MPT X 1/2FPT	1
16	056231	ELBOW,PLSTC--1/2 MPTX1/2HS	1
17	051117	CLAMP,HOSE-- .875 MAX DIA,WORM	1
18	003429	NUT,SPEED,U-- .250-20,.58X1.125	3
19	056234	TUBE,VINYL--.500X.750X43"L	1
20	002271	SCR MACH RD HD--.250-20X1.75L	1
21	057939-05	HANDLE,FIXED--1.25 DIA,BLACK	1
22	027224	BRG,FLANGE--.250IDX.375ODX.37W	2
23	005479	NUT,HEX LOCK--.250-20,NYLOC,ZN	3
24	005320	WSHR FLT .406ID.750OD.060T STL	2
25	035598-05	WDMT,SQUEEZE BAR--20/26,BLACK	1

DET	PART NO.	DESCRIPTION	QTY
26	005383	PIN,COTTER--.094X1.000 LONG	2
27	057919	TUBE,VINYL--.750X1.00,34.00L	1
28	005480	NUT,HEX LOCK-- 10-24,NYLOC	1
29	056903	CLAMP,LOOP--.500 CLOSED ID,NYL	1
30	005456	SCR MACH PAN HD 10-24X.500L	1
31	057840-05	PANEL,STL--BACK,BLACK	1
32	005587	RIVET,POP--.125DIA,.188MAX G.R	2
33	057843	CLIP,SPRING--1.75 DIA,BLACK	1
34	004527	WSHR,FLT 203ID .500OD,STL BLK	1
35	057903	STOPPER,RUBBER-- 781 DIA	2
36	002358	SCR MACH PAN HD 10-32X2.25L	1
37	057391	HANDLE,BALL--ALUM,2.125 DIA	1
38	002254	SCR CAP HEX HD .250-20X.875L	1
39	004352	PIN,LOCK--.125 DIA WIRE	1
40	057852	PLUG,EXPANSION--1.50DIA,W/CHAI	1
41	005433	WSHR FLT .281ID.750OD.120T STL	1
42	051836	HOOK,8--.105 WIRE,.312 EYES	1
43	057810	WIRE ROPE--.125X27.75L	1
44	005380	SCR MACH RD HD .250-20X2.00L	1
45	057868	ADPTR,PP-HS--1/2MPTX3/4HS,PLS	1
46	049932	CLAMP,HOSE--1.00 MAX DIA,WORM	1
47	003441	NUT,SPEED,U--10-32 .51X060	1
48	057805-05	BAR,SQUEEGEE LIFT--BLACK	1
49	004462	WSHR FLT .250ID1.00OD.062T STL	1
50	054335	SPACER,STL--.257IDX.437ODX.19L	1

CONTROL PANEL ASSEMBLY



CIRCUIT BREAKER				
MODEL	TRACTION DRIVE	VACUUM	BRUSH 1	BRUSH 2
20" BRUSH ASSIST	--	026198	026888	--
20" TRACTION DRIVE	026198*	026198	026888	--
26" TRACTION DRIVE	026198*	026198	026198	026198

* THESE COMPONENTS ON MODELS WITH TRACTION DRIVE ONLY

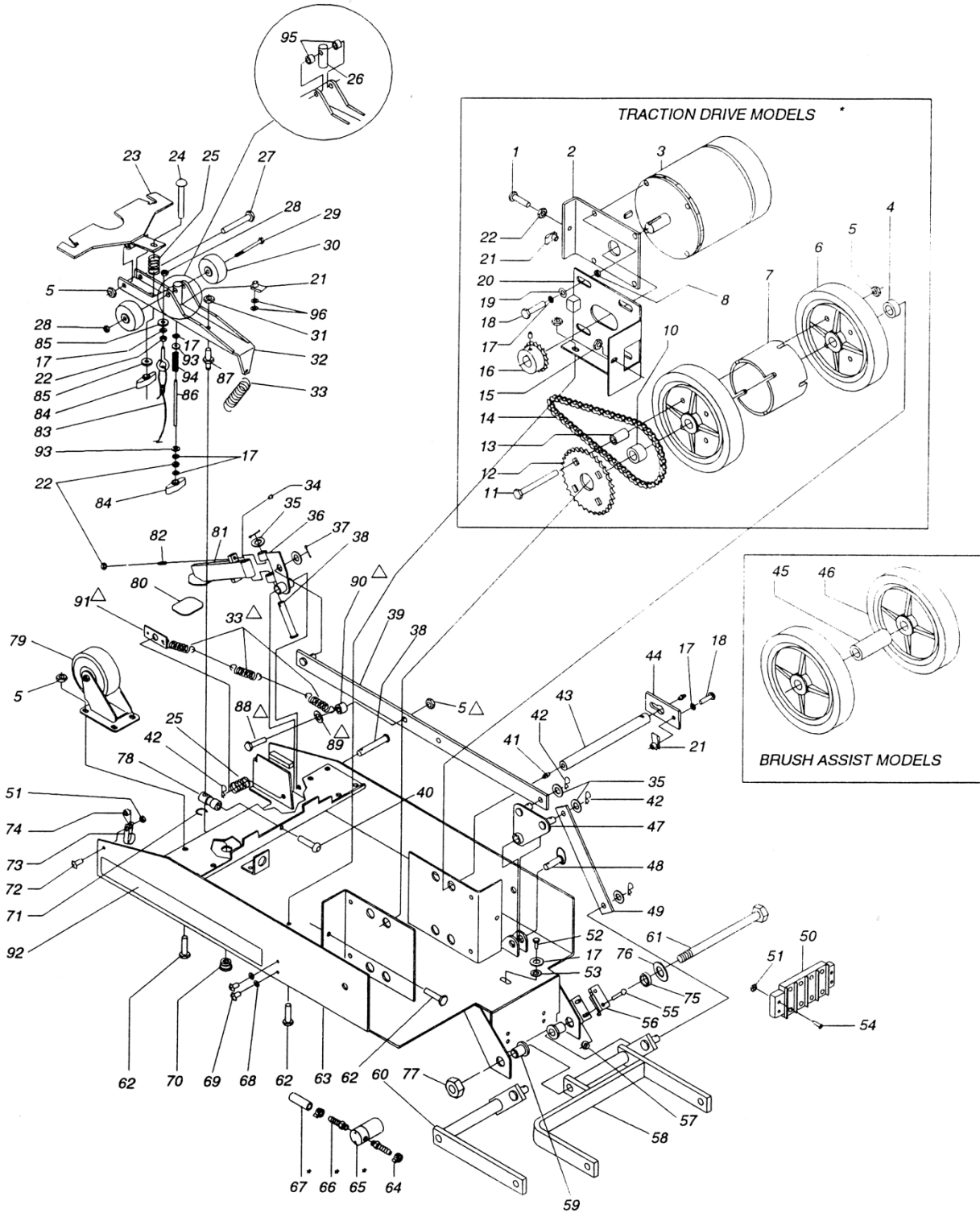
TM-1915

CONTROL PANEL ASSEMBLY PARTS LIST

DET	PART NO.	DESCRIPTION	QTY
1	056190	GROM--.375ID,.562MHD,.062PA	1
2	057831	KNOB,PLSTC--.250 SHAFT,POINTER	1
3	026129	SWITCH,RKR--DPST,OFF/ON/(ON)	1
4	056596	KNOB,PLASTIC--BLACK,.92DIA X.95	1
5	057243	KEY,AUTOMATICS--FOR P/N 026584	1
6	026135	VOLTMETER--18-30 VDC,ROUND	1
7	057835-05	PANEL,STL--INSTRUMENT,PAINTED	1
8	057310	GASKET--.125x.500,12.75L	2
9	026584	STARTER-SWITCH-LOCKING	1
10	026243	POTENTIOMETER ASSEMBLY	1
11	G721255	PAD,FOOT PEDAL--	1
12	001248	SCR MACH RD HD 6-32X1.00L	2
13	004249	WSHR LK .150ID.320OD.022T EXT	2
14	026603	SWITCH,LVR--SPDT,20A,125-250V	1
15	035599-05	WDMT,SWITCH BRACKET--20/26,BLK	1
16	005477	SCR TPG F WSH HD .250-20X.625L	4
17	004254	WSHR LK .267ID.510OD.028T EXT	4

DET	PART NO.	DESCRIPTION	QTY
18	046425	SPACER,PHEN--.250X.437,.250L	2
19	057829	RD,STL--CENTERING,PLATED	1
20	E49900	RING,RTNG--EXT,.312 SHAFT,5304	2
21	004221	WSHR FLT .344ID1.00OD.036T STL	2
22	056961	SPRING,COMP .48OD 2.25L .045WD	2
23	054136	RING,RTNG--EXT,.75SHAFT,.062	1
24	057764	BUSHING,GUIDE--.875DIA,0.53L	1
25	004427	WSHR FLT .344ID1.25OD.120T STL	1
26	004444	WSHR LK .332ID.610OD.034T EXT	2
27	003356	NUT,HEX JAM--.312-18,ZN PLT	2
28	057871	LABEL--CIRCUIT BREAKER,20/26	1
29	002480	SCR MACH PAN HD .250-20X.625L	2
30	057836	LABEL--WARNING,AUTOMATICS	1
31	057839	LABEL--INSTR PANEL,20/26,W/TRA	1
32	057896	LABEL--INSTR PANEL,20/26,W/O T	1

CHASSIS ASSEMBLY



* PARTS ON TRACTION DRIVE UNITS ONLY

△ PARTS USED ON 26" (66cm) MODELS ONLY

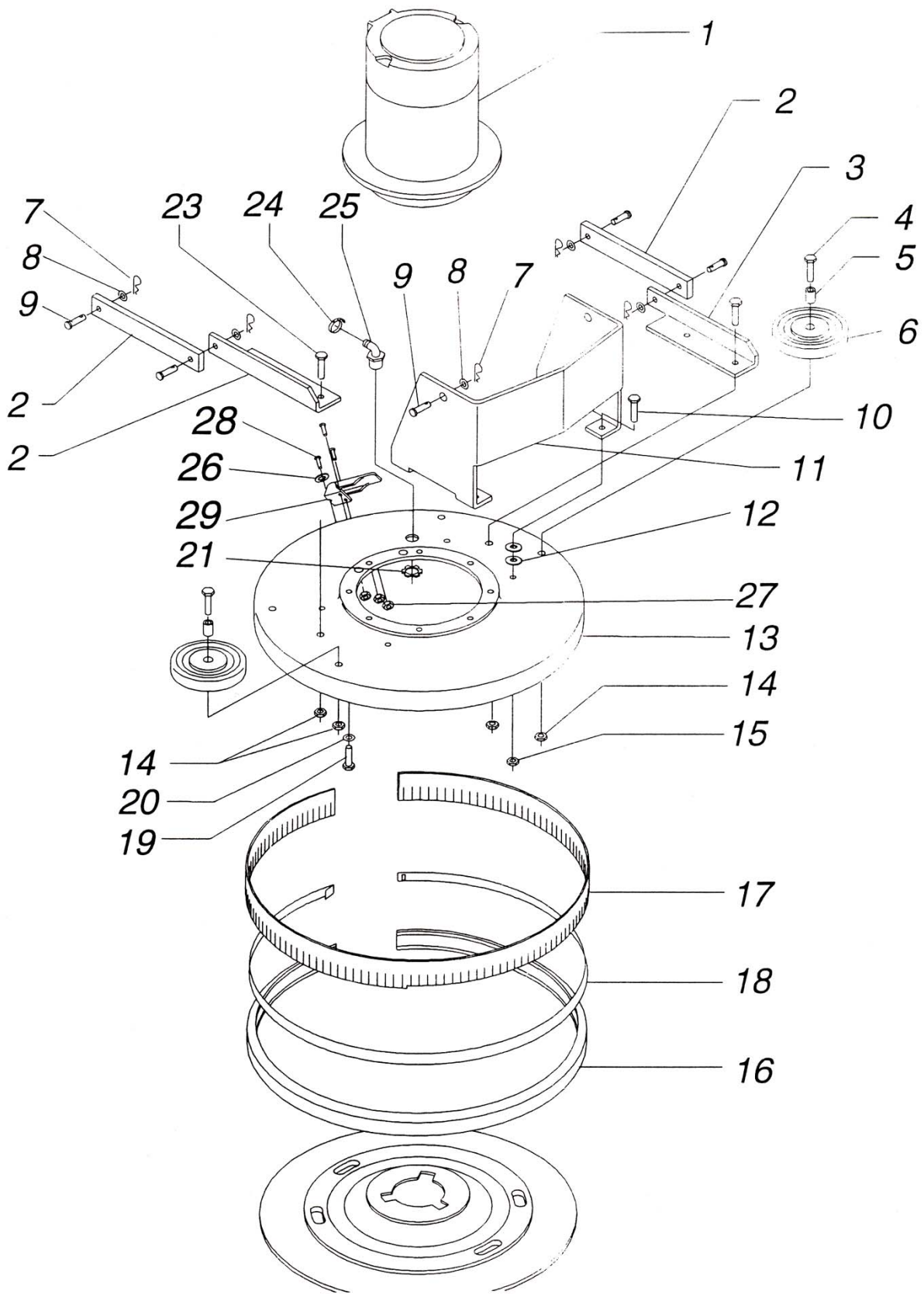
TM-1908

CHASSIS ASSEMBLY PARTS LIST

DET	PART NO.	DESCRIPTION	QTY
1	002454	SCR CAP HEX HD .250-20X1.50L	1
2	057833-05	BRACKET,TENSION--TRAC DRV,BLK	1
3	026191	MTR,DC--24V,.50HP,320RPM	1
4	057886	SPACER,NYL--.780X1.25X.500L	1
5	005279	NUT,HEX LOCK--.375-16,NYLOC	1
6	057863	WHEEL--RS 057853 W/4 HOLES	2
7	057834	SPACER,DRIVE WHEEL--PVC	1
8	050974	SPACER,STL--.281X.500,.41 LG	4
10	057885	SPACER,NYL--.780X1.25X.777L	1
11	005640	BOLT,SQ NECK--.375-16X6.00L	4
12	057862	SPROCKET--#40,32T,W/4 HOLES	1
13	051646	SPACER,STL--.375X.750,.750L	4
14	057865	CHAIN,ROLLER--#40,55LK & CONN	1
15	003472	NUT,HEX LOCK--.312-18,NYLOC	3
16	G741122	SPRKT,CHAIN--#40,.50P,11T,.75B	1
17	004254	WSHR LK .267ID.510OD.028T EXT	5
18	002253	SCR CAP HEX HD .250-20X.750L	5
19	004462	WSHR FLT .250ID1.00OD.062T STL	4
20	035602-05	WDMT,BRACKET--DRV,20/26,BLACK	1
21	003429	NUT,SPEED,U--.250-20,.58X1.125	3
22	222226	NUT,HEX JAM--.250-20,ZN PLT	3
23	035596-05	WDMT,SQUEEGE BRKT--20/26,BLACK	1
24	005641	BOLT,SQ NECK--.250-20X2.50L,FT	1
25	056519	SPRING,COMP .845D 1.50L .100WD	2
26	057914	SPACER,ALUM--.250X.500,W/HOLE	1
27	003268	SCR CAP HEX HD .375-16X3.00L	1
28	005479	NUT,HEX LOCK--.250-20,NYLOC,ZN	2
29	002508	SCR CAP HEX HD .250-20X4.50L	1
30	053689	WHEEL,2.00DIA,.25BORE,.984HB	2
31	003327	NUT,HEX LOCK--.375-24,NYLOC	1
32	057817-05	BAR,SQUEEGEE--20/26 AUTO,BLACK	1
33	051136	SPRING,EXT .750D 2.92L .104WD	1
34	057842	PLUG,BUTTON--.437 MTG HOLE,BLK	1
35	004238	WSHR FLT .531ID1.00OD.071T STL	8
36	035590-05	WDMT,PIVOT--FOOT PEDAL,BLACK	1
37	005200	PIN,COTTER--.125X1.000 LONG	2
38	G696700	PIN,CLEVIS--.500DIA,3.50 LONG	2
39	035595-05	WDMT,LIFT BAR--25.75L,BLACK	1
40	002384	SCR MACH HEX HD .375-24X.750L	1
41	054330	ZERK,GREASE--.250-28 THREAD	2
42	004352	PIN,LOCK--.125 DIA WIRE	4
43	057760	RD,STL--.750DIA,8.50L,PLATED	1
44	057763-05	BAR,STL--7 GA,1.50 X 3.38,BLK	1
45	057851	SPACER,NYL--.780X1.25X3.21L	1
46	057853	WHEEL--8.00DIA,.750BORE,1.81HB	2
47	035589-05	WDMT,LINKAGE--TRIANGULAR,BLACK	1
48	004357	PIN,QUICK RLSE--.500 DIA,1.00L	1
49	057771-05	BAR,STL--.375X1.25X 8.44L,BLK	1

DET	PART NO.	DESCRIPTION	QTY
50	026111	TERMINAL BLOCK--4 TERM,50 AMP	1
51	005480	NUT,HEX LOCK-- 10-24,NYLOC	3
52	223218	SCR CAP HEX HD .250-20X.625L	3
53	004208	WSHR FLT .281ID.500OD.036T STL	3
54	005457	SCR MACH PAN HD 10-24X1.00L	2
55	001248	SCR MACH RD HD 6-32X1.00L	2
56	026886	SWITCH,PUSH--SPDT .20A,125-250V	1
57	003361	NUT,HEX LOCK-- 6-32,NYLOC	2
58	035588-05	WDMT,BRUSH LIFT--20IN AUTO,BLK	1
59	027131	BRG,FLANGE--.500ID.750OD.500W	2
60	035587-05	WDMT,BRUSH LIFT--26IN AUTO,BLK	1
61	002510	SCR CAP HEX HD .500-13X8.00L	1
62	002340	BOLT,SQ NECK--.312-18X.750L	11
63	035586-05	WDMT,FRAME--20/26 AUTOS,BLACK	1
64	051117	CLAMP,HOSE--.875 MAX DIA,WORM	2
65	027145	VALVE,SOLENOID--24V	1
66	006142	ADPTR,PP-HS--3/8MPTX1/2HS,BRS	2
67	048819	TUBE,VINYL--.500X.750,18.00L	1
68	004253	WSHR LK .204ID.410OD.025T EXT	2
69	005609	SCR MACH PAN HD 10-32X.5,BLK	2
70	057764	BUSHING,GUIDE--.875DIA,0.53L	1
71	054136	RING,RTNG--EXT,.75SHAFT,.062	1
72	001327	SCR MACH PAN HD 10-24X.750L	1
73	046642	CLAMP,LOOP--.875DIA,VINYL COAT	1
74	046425	SPACER,PHEN--.250X.437,.250L	1
75	054581	SPACER,STL--.760X1.00,.250L,D	1
76	004238	WSHR FLT .531ID1.00OD.071T STL	1
77	003370	NUT,HEX LOCK--.500-13,ZN PLT	1
78	049473	BALL JOINT BODY	1
79	057820	CASTER--3.50 DIA PLATE STYLE	2
80	G721255	PAD,FOOT PEDAL--	1
81	035594-05	WDMT,FOOT PEDAL--BRUSH LIFT	1
82	002369	SCR SET CUP PT .250-20X1.00L	1
83	057810	WIRE ROPE--.125X27.75L	1
84	057883	KNOB,WING--.250-20,BLACK,NYLON	2
85	005433	WSHR FLT .281ID.750OD.120T STL	2
86	057945	STUD--.250-20X 4.00L	1
87	048953	BALL JOINT	1
88	003265	SCR CAP HEX HD .375-16X1.50L	1
89	005320	WSHR FLT .406ID.750OD.060T STL	1
90	049343	SPACER,STL--.375X.500 .437L,Z	1
91	057944	PLATE,SS--2.25X1.00	1
92	057427	LABEL,IDENT--VALUESCRUB	2
93	004369	WSHR SHLDR .250ID.562OD.120T,NY	2
94	056483	SPRING,COMP .540D 1.50L .054WD	1
95	052225	SPACER,PHEN--.250X.500,.562L	2
96	004384	WSHR FLT .406ID.875OD.064T STL	2

20" MACHINE BRUSH HEAD ASSEMBLY

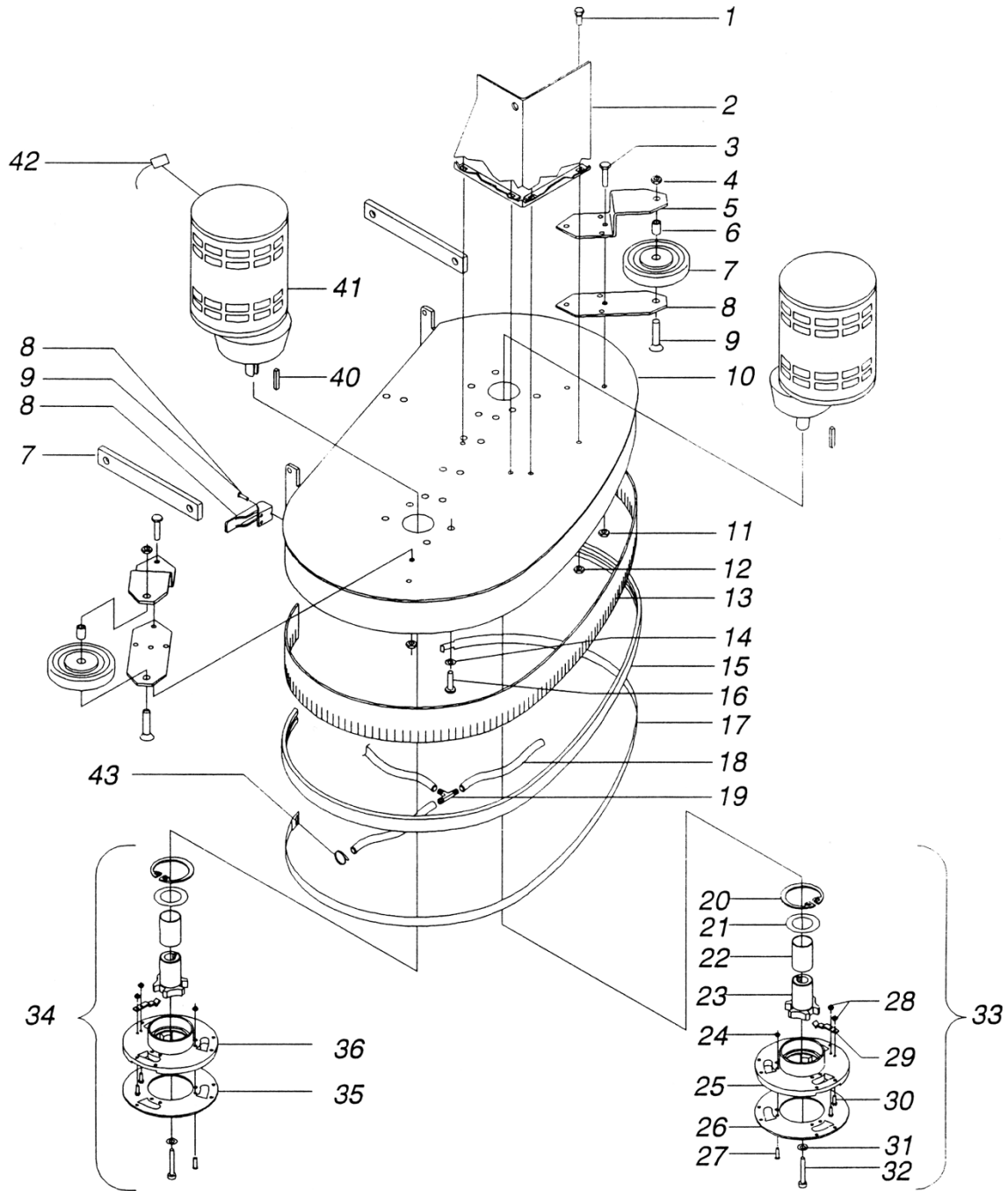


20" MACHINE BRUSH HEAD ASM. PARTS LIST

DET	PART NO.	DESCRIPTION	QTY
1	026242	MTR,GRC--24VDC,1.0HP,11:1	1
2	056254	BAR,STL--.375X1.25,9.00L	2
3	057761-05	BRACKET,ANGLE--BR HD,LEFT,BLK	1
4	002324	SCR CAP HEX HD .375-16X1.75L	2
5	054018	SPACER,STL--.385X.500X1.187L	2
6	111639	WHEEL--4.00DIA.,505BORE,1.12HB	2
7	004352	PIN,LOCK--.125 DIA WIRE	6
8	004238	WSHR FLT .531ID1.00OD.071T STL	6
9	005639	PIN,CLEVIS--.500X0.91 LONG	6
10	003249	SCR CAP HEX HD .312-18X1.25L	4
11	057743-05	BRACKET,U--BRUSH HEAD,20IN,BLK	1
12	004221	WSHR FLT .344ID1.00OD.036T STL	12
13	057934-05	COVER,BRUSH--20"AUTO,STL,BLACK	1
14	003368	NUT,HEX LOCK--.375-16,ZN PLT	2
15	003472	NUT,HEX LOCK--.312-18,NYLOC	4

DET	PART NO.	DESCRIPTION	QTY
16	057874-2	EXTRUSION,BUMPER--BLACK,56.50L	1
17	057915	GUARD,SPLASH--20IN AUTO,SLIT	1
18	035617	WDMT,STRAP--CLAMP,SPLASH GUARD	1
19	003244	SCR CAP HEX HD .312-18X.750L	4
20	004444	WSHR LK .332ID.610OD.034T EXT	4
21	006108	NUT,LOCK-- 50 IPT,CONDUIT	1
22	057762-05	BRACKET,ANGLE--BR HD,RIGHT,BLK	1
23	003228	SCR CAP HEX HD .375-16X.875L	4
24	051117	CLAMP,HOSE--.875 MAX DIA,WORM	1
25	056231	ELBOW,PLSTC--1/2 MPTX1/2HS	1
26	005433	WSHR FLT .281ID.750OD.120T STL	1
27	003415	NUT,HEX LOCK-- 8-32,NYLOC,ZN	3
28	002402	SCR MACH PAN HD 8-32X.375L	3
29	057864	LATCH,DRAW--ADJ,STEEL,HEAVY	1

26" MACHINE BRUSH HEAD ASSEMBLY



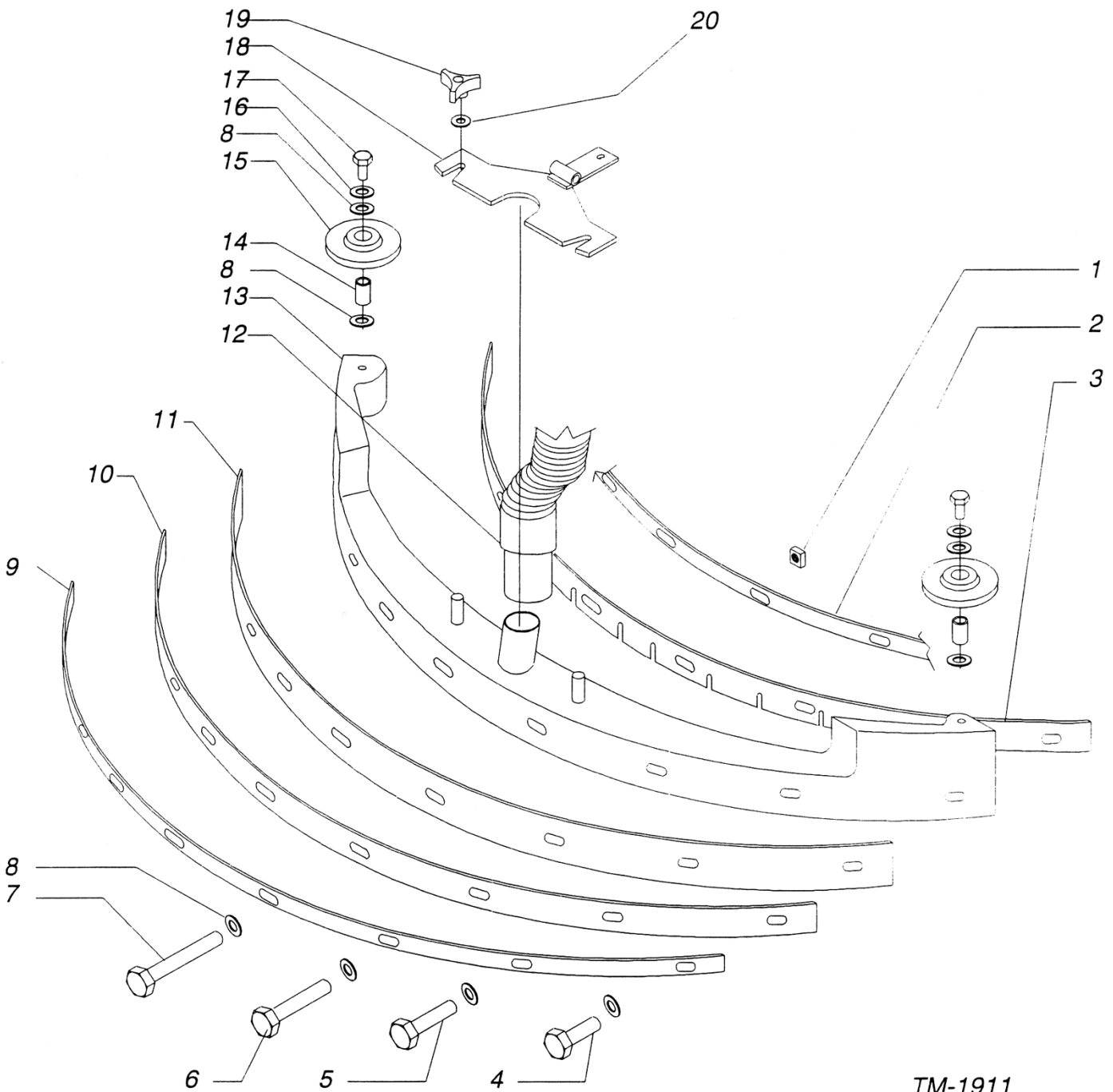
TM-1907

26" MACHINE BRUSH HEAD ASM. PARTS LIST

DET	PART NO.	DESCRIPTION	QTY
1	002340	BOLT,SQ NECK--.312-18X.750L	4
2	057845-05	BRACKET,STL--BRUSH LIFT,26,BLK	1
3	002253	SCR CAP HEX HD .250-20X.750L	4
4	003368	NUT,HEX LOCK--.375-16,ZN PLT	2
5	057850-05	PLATE,STL--11GA,3.00X7.02L,BLK	2
6	054018	SPACER,STL--.385X.500X1.187L	2
7	111639	WHEEL--4.00DIA.,505BORE,1.12HB	2
8	057873-05	PLATE,STL--7GA,3.00X5.87L,BLK	2
9	005415	SCR MACH FLT HD .375-16X2.00L	2
10	039640-05	WDMT,BRUSH HD--26 AUTO,STL,BLK	1
11	005479	NUT,HEX LOCK--.250-20,NYLOC,ZN	4
12	003472	NUT,HEX LOCK--.312-18,NYLOC	4
13	057844	GUARD,SPLASH--26" AUTO,SLIT	1
14	004214	WSHR LK .390ID.683OD.094TSPLT	8
15	057874-1	EXTRUSION,BUMPER--BLACK,48.50L	1
16	003262	SCR CAP HEX HD .375-16X1.00L	8
17	057849-05	STRAP,CLAMPING--SPLASH GRD,GAL	1
18	057869	TUBE,VINYL--.500X.750, 5.38L	2
19	048606	TEE,HOSE--1/2X1/2X1/2,PLSTC	1
20	004529	RING,RTNG--INT,2.375 BORE	2
21	004548	WSHR FLT 1.770ID2.342OD.078T	2
22	056464	TUBE,SS--1.500D,16GA,1.937L	2

DET	PART NO.	DESCRIPTION	QTY
23	056445	SHAFT,DRIVE--BRUSH,AUTOS	2
24	222224	NUT,HEX LOCK-- 10-24,ZN PLT	12
25	056446	HUB,DRIVE--BRUSH,AUTOS,LEFT	1
26	057160	PLATE,SS--BRUSH MTG RING,LEFT	1
27	002473	SCR MACH FLT HD 10-24X.875L	4
28	003361	NUT,HEX LOCK-- 6-32,NYLOC	6
29	057046	CLIP,RETAINING--BRUSH LUG,27	2
30	001515	SCR MACH PAN HD 6-32X.500L	4
31	005358	WSHR LK--.326ID.586OD.078T SPL	2
32	002499	SCR CAP SOC HD 312-18X1.50L	2
33	035367	ASM.DRIVE HUB--AUTO 20GA,CLP L	1
34	035366	ASM.DRIVE HUB--AUTO 20GA,CLP R	1
35	057159	PLATE,SS--BRUSH MTG RING,RIGHT	1
36	056447	HUB,DRIVE--BRUSH,AUTOS,RIGHT	1
37	057771-05	BAR,STL--.375X1.25X 8.44L,BLK	2
38	057864	LATCH,DRAW--ADJ,STEEL,HEAVY	1
39	223186	SCR MACH PAN HD 6-32X.375L	2
40	057663	KEY,SQUARE--.250 SQ,1.437 LONG	2
41	024439	ASM,MTR&GEAR UNIT--24V,W/RINGS	2
42	039276	BRUSH,MTR--FOR 024372&027153	4
43	047085	CABLE,TIE--6.0L,NYLON	5

SQUEEGEE ASSEMBLY



TM-1911

20" MACHINE SQUEEGEE ASSEMBLY PARTS LIST

DET	PART NO.	DESCRIPTION	QTY
1	005591	NUT,SELF RETAINING--.250-20	8
2	054796	BAR,STL--.125X1.00,26.15L,FRON	1
3	054793	RUBBER,SQUEEGEE-FRONT,20 AUTO	1
4	002454	SCR CAP HEX HD .250-20X1.50L	2
5	002455	SCR CAP HEX HD .250-20X2.50L	2
6	002456	SCR CAP HEX HD .250-20X3.00L	2
7	001500	SCR CAP HEX HD .250-20X3.50L	2
8	004218	WSHR FLT .344ID,750OD,060T STL	12
9	054797	BAR,STL--.125X1.00,28.41L,REAR	1
10	054795	RUBBER,SQUEEGEE--BACKUP,20 AUT	1

DET	PART NO.	DESCRIPTION	QTY
11	054794	RUBBER,SQUEEGEE--REAR,20 AUTO	1
12	055989	CUFF,HOSE--1.5,BLACK	1
13	054790	CASTING,SQUEEGEE--20 AUTO	1
14	053699	SPACER,STL--.312X.437,.43L	2
15	053720	WHEEL--4.00DIA.,438BORE,688HB	2
16	004212	WSHR LK .326ID,586OD,078TSPLT	2
17	003246	SCR CAP HEX HD .312-18X1.00L	2
18	035596-05	WDMT,SQUEEGEE BRKT--20/26,BLACK	1
19	057935	KNOB,3-LOBE--.38-16 INT.THD	2

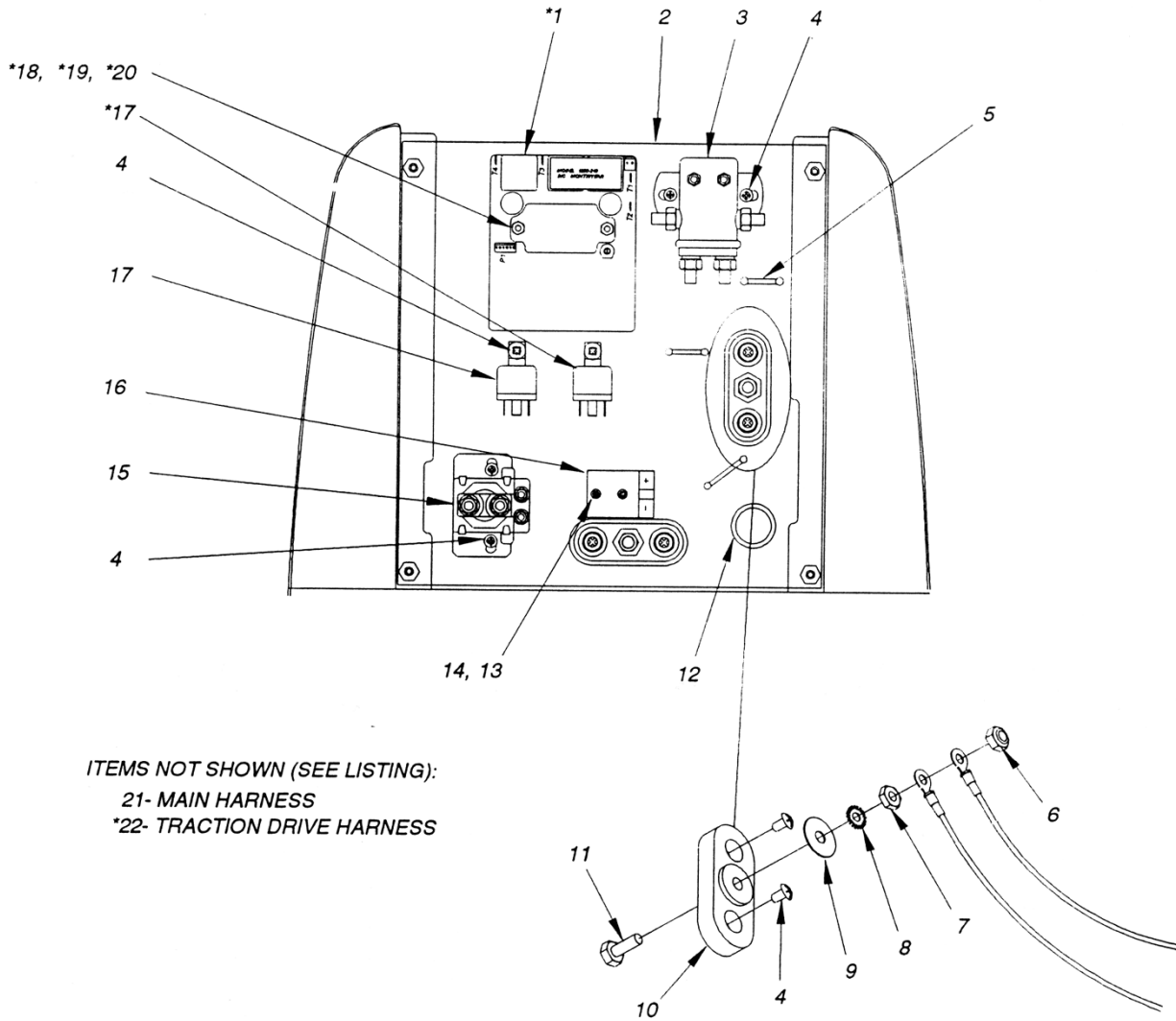
26" MACHINE SQUEEGEE ASSEMBLY PARTS LIST

DET	PART NO.	DESCRIPTION	QTY
1	005591	NUT,SELF RETAINING--.250-20	8
2	054556	BAR,STL--.125X1.00,31.31 LONG	1
3	054557	RUBBER,SQUEEGEE--.125X1.75,33L	1
4	002454	SCR CAP HEX HD .250-20X1.50L	2
5	002455	SCR CAP HEX HD .250-20X2.50L	2
6	002456	SCR CAP HEX HD .250-20X3.00L	2
7	001500	SCR CAP HEX HD .250-20X3.50L	2
8	004218	WSHR FLT .344ID,750OD,060T STL	12
9	054560	BAR,STL--.125X1.00,34.14 LONG	1
10	054559	RUBBER,BACKUP--.125X2.00,34.4L	1

DET	PART NO.	DESCRIPTION	QTY
11	054558	RUBBER,SQUEEGEE--.187X2.75,35L	1
12	055989	CUFF,HOSE--1.5,BLACK	1
13	054554	CASTING,SQUEEGEE--26 AUTO,HV	1
14	053699	SPACER,STL--.312X.437,.43L	2
15	053720	WHEEL--4.00DIA.,438BORE,688HB	2
16	004212	WSHR LK .326ID,586OD,078TSPLT	2
17	003246	SCR CAP HEX HD .312-18X1.00L	2
18	035596-05	WDMT,SQUEEGEE BRKT--20/26,BLACK	1
19	057935	KNOB,3-LOBE--.38-16 INT.THD	2

ELECTRICAL PANEL ASSEMBLY

ELECTRICAL PANEL



* THESE COMPONENTS ON UNITS WITH TRACTION DRIVE ONLY

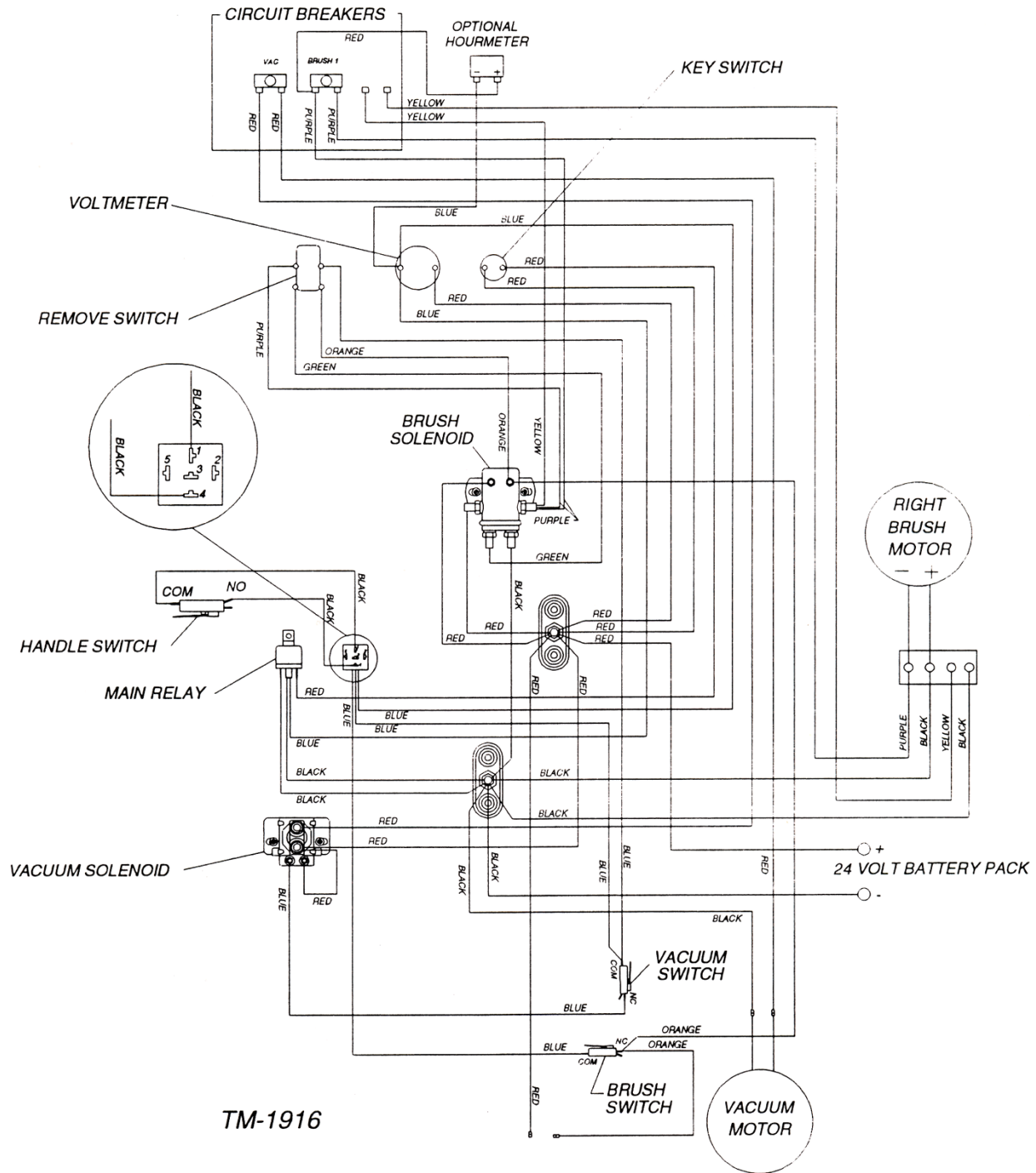
TM-1913

ELECTRICAL PANEL ASSEMBLY PARTS LIST

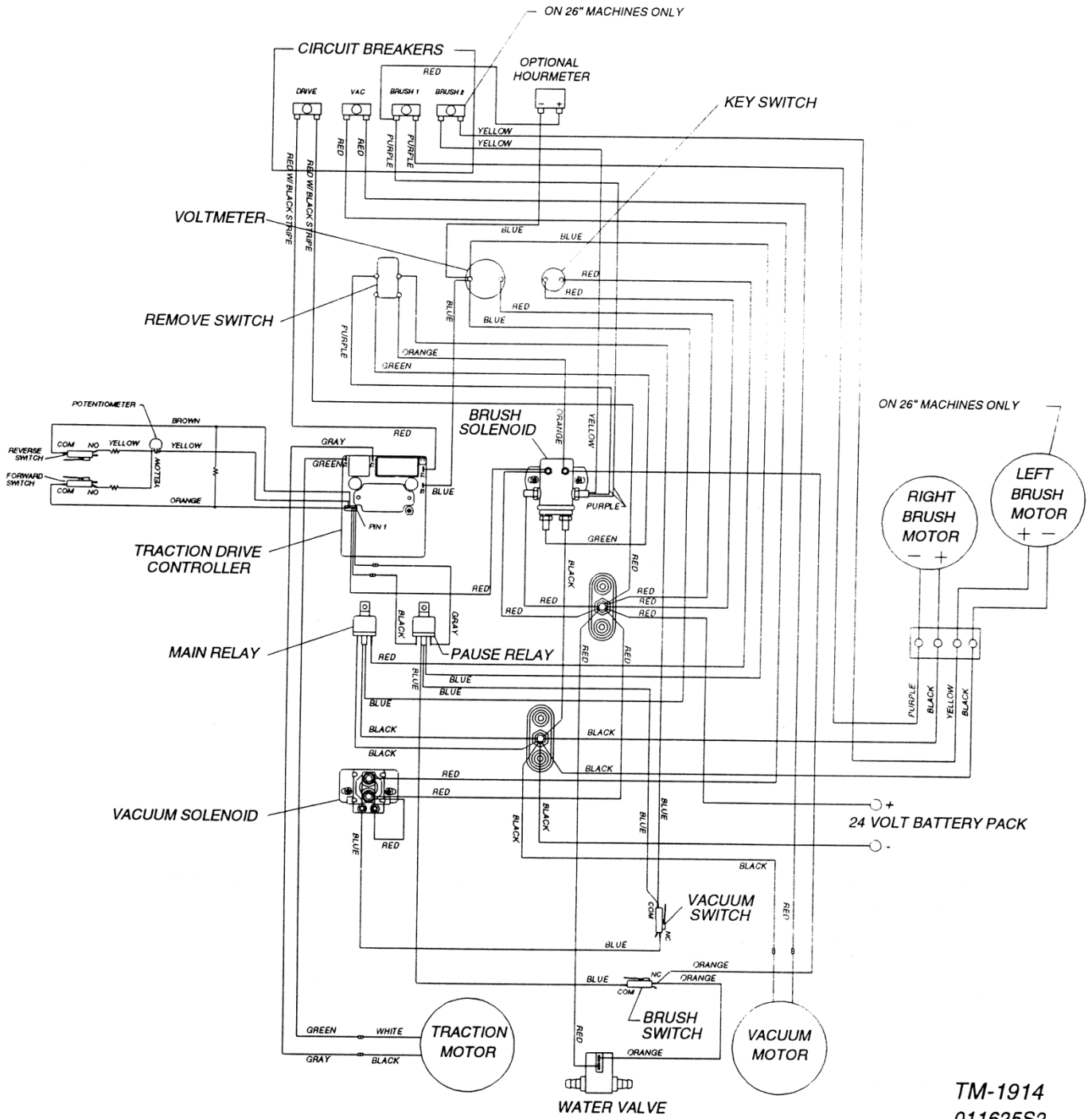
DET	PART NO.	DESCRIPTION	QTY
1	026133	CONTROL--DC,AUTOS,CRTS,24V	1
2	057804-05	PANEL,STL--16GA,12.50X11.84BLK	1
3	026645	SOLENOID--24V	1
4	001514	SCR TPG F PAN HD .250-20X.375L	10
5	047085	CABLE,TIE--6.0L,NYLON	3
6	003472	NUT,HEX LOCK--.312-18,NYLOC	2
7	003356	NUT,HEX JAM--.312-18,ZN PLT	2
8	004444	WSHR LK .332ID.610OD.034T EXT	2
9	004221	WSHR FLT .344ID1.00OD.036T STL	2
10	057872	INSULATOR--MAIN TERMINAL	2
11	003249	SCR CAP HEX HD .312-18X1.25L	2

DET	PART NO.	DESCRIPTION	QTY
12	049927	GROM--1.00ID,1.25MHD,.062PA	1
13	003361	NUT,HEX LOCK-- 6-32,NYLOC	4
14	001248	SCR MACH RD HD 6-32X1.00L	2
15	027165	SOLENOID--24V,SPST,NORM OPEN	1
16	027240	ASM,CHARGER PLUG--2 CNDCT	1
17	026180	RELAY,POWER--24VDC 40/30A,SPDT	2
18	005410	SCR MACH RD HD 8-32X1.00L	2
19	057428	SPACER,ALUM-- 187X.375 .375L	2
20	003415	NUT,HEX LOCK-- 8-32,NYLOC,ZN	2
21	026190	HARNESS,WIRE--MAIN,20/26	1
22	026244	HARNESS,WIRE--DRIVE,KA-20/26	1

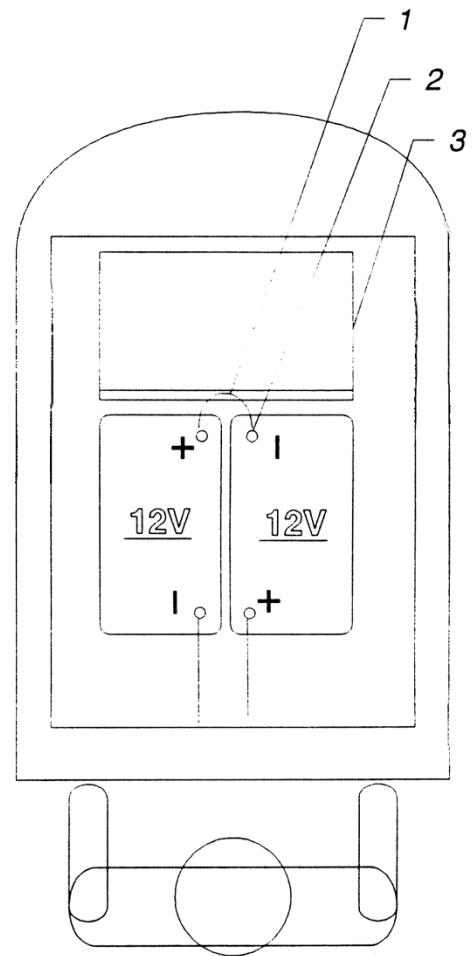
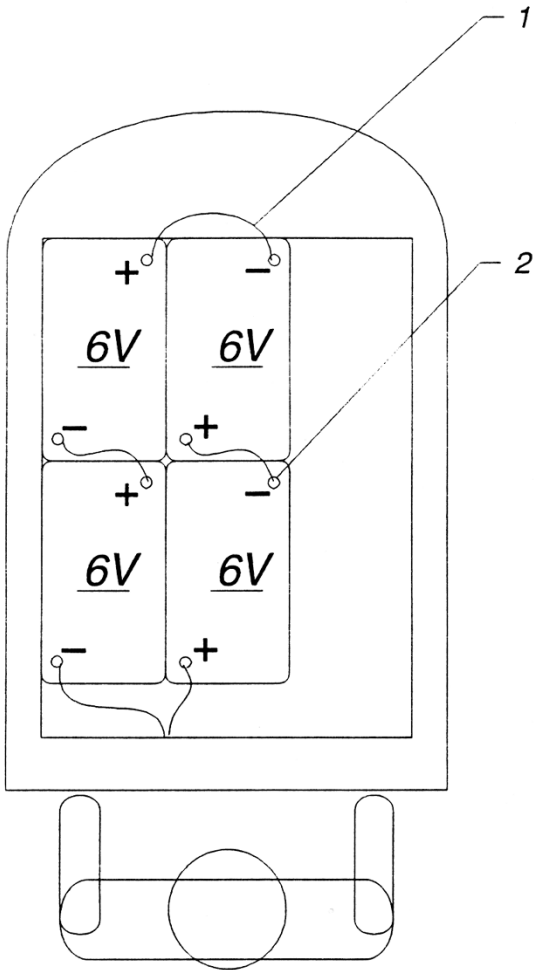
WIRING DIAGRAM FOR MODELS WITH BRUSH ASSIST ONLY



WIRING DIAGRAM FOR MODELS WITH TRACTION DRIVE



BATTERY WIRING DIAGRAMS



TM-1919

DET	PART NO.	DESCRIPTION	QTY
1	025085	ASM,WIRE-- 6GA,BLK,12.8L,RINGS	3
2	054186	BOOT,INSULATOR--BATT TERMINALS	8

DET	PART NO.	DESCRIPTION	QTY
1	025085	ASM,WIRE-- 6GA,BLK,12.8L,RINGS	1
2	054186	BOOT,INSULATOR--BATT TERMINALS	4
3	057920	SPACER,ANGLE--BATT COMP,POLY	1